

Features

- 1-hp heavy-duty induction motor powers through your toughest food waste
- 34.6 oz grind chamber
- Two-stage grind feature shreds scraps into smaller pieces, minimizing build-up in your plumbing
- Continuous feed lets you add scraps as you go
- Auto-reverse feature helps prevent jams and allows grind elements to wear evenly, extending disposer life
- Removable sink baffle dampens motor sound
- Compact design saves valuable cabinet space
- Box includes: Disposal, stainless steel stopper, removable baffle, discharge tube kit, self-service wrench, mounting hardware

Material

- Durable stainless steel construction

Installation

- Requires power cord kit or hard-wired power connection
- Under-sink

Optional Products/Accessories

- K-29359 Garbage disposal power cord kit
- K-11352 Disposal Flange with Stopper

Included Components

- Additional Components:
- Discharge Tube Kit
 - Self-Service Wrench

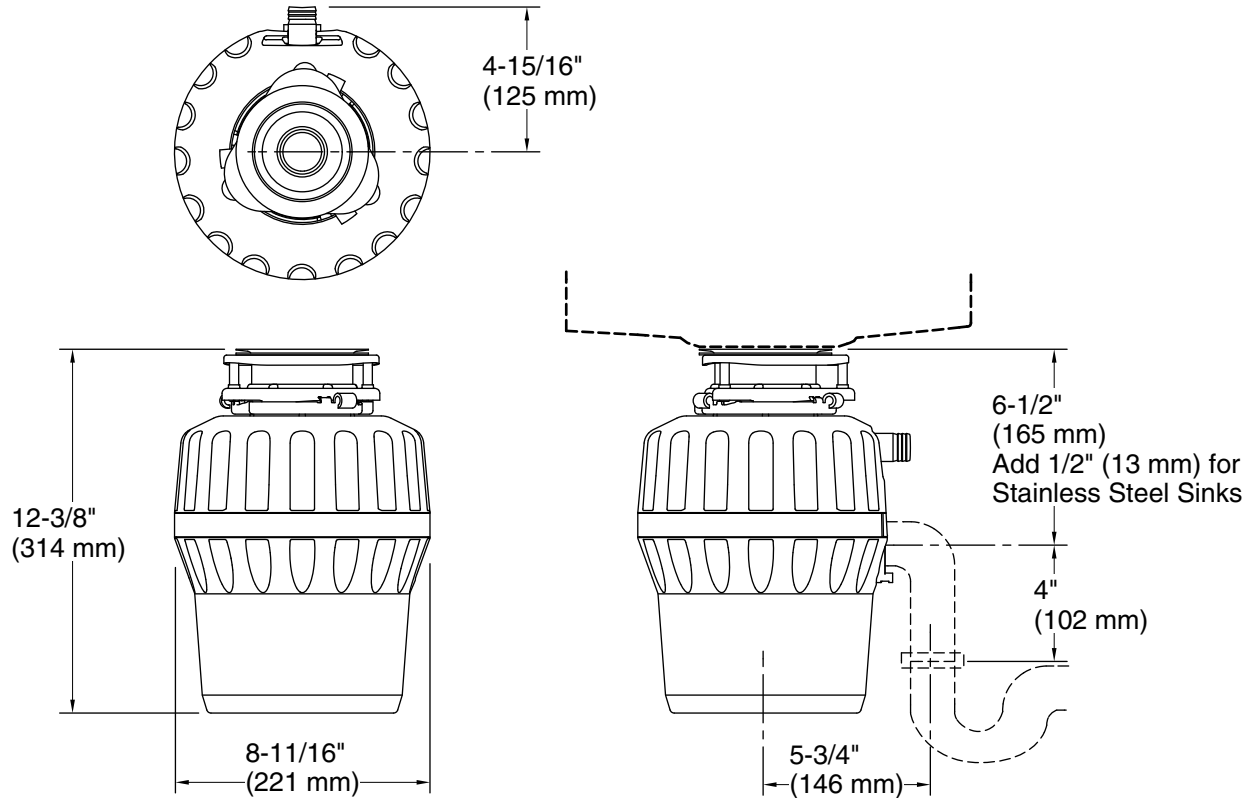


Codes/Standards

- ASSE 1008
- UL 430

KOHLER® Garbage Disposer Limited Warranty

See website for detailed warranty information.



Required Electrical Service

One circuit required.

Motor: 120 V, 9.5 A, 60 Hz

Technical Information

All product dimensions are nominal.

Material: Stainless Steel

Notes

Install this product according to the installation instructions.